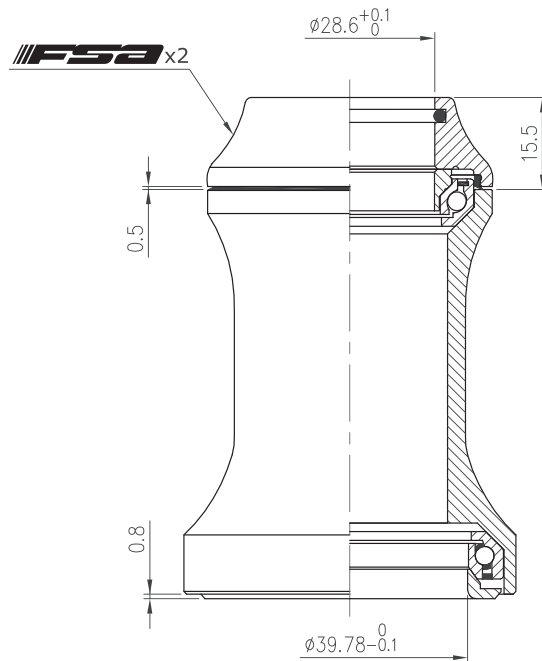
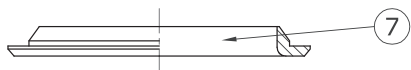
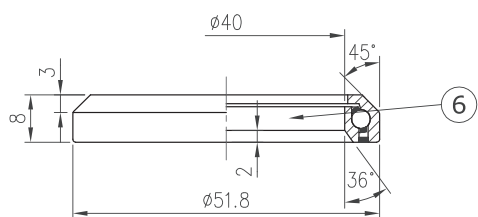
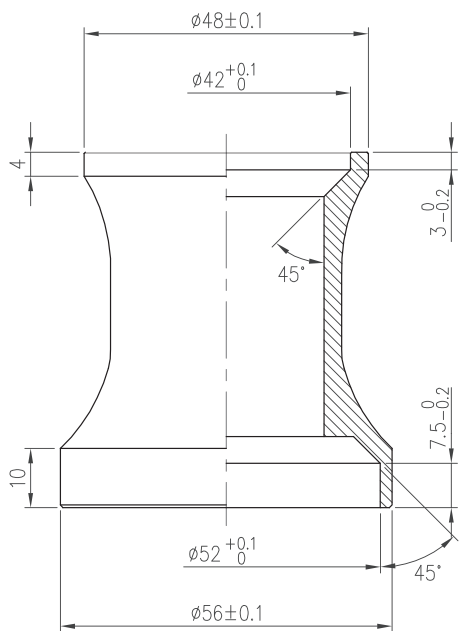
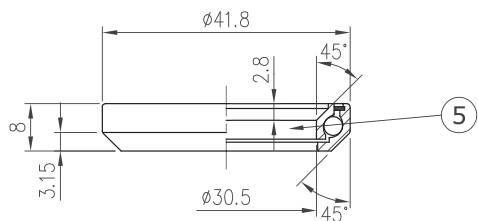
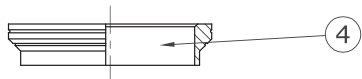
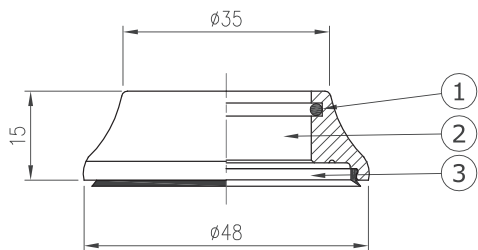


Integrated Headset

NO.42/48/ACB

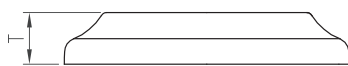
1-1/8", 45°/ 45° ACB Upper
1.5", 36°/ 45° ACB Lower



Stack Height $15.5+0.8=16.3$



Weight - 77 grams



| Custom cone spacer | | |
|--------------------|-------|--------------|
| Item No | T | Stack Height |
| H2105A | 8.7mm | 10mm |
| H2105C | 20mm | 21.3mm |

- For tapered 48mm / 56mm OD head tube
- For 1-1/8" to 1.5" tapered fork
- Alloy top cover
- Upper : Angular Contact Bearing(Black seal)
- Lower : 1.5" Angular Contact Bearing(Black seal)

| No | Item No | Material | Qty |
|----|--------------------|---------------------------|------|
| ⑦ | H6083{NO.42/ACB-6} | Alloy | 1PCS |
| ⑥ | MR127{073E-RS} | Chrome steel | 1SET |
| ⑤ | MR121{870E-RS} | Chrome steel | 1SET |
| ④ | H2081A{NO.8-2} | Alloy | 1PCS |
| ③ | MS100 | Steel w/ rubber sealed | 1PCS |
| ② | H2105B | Alloy | 1PCS |
| ① | MS053{872} | Rubber | 1PCS |

